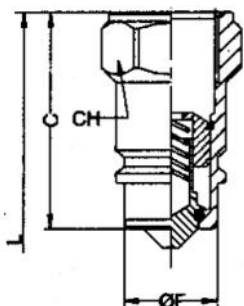


Hydraulic Quick Couplers (Category 8)

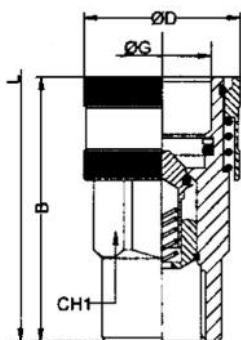
ISO A SERIES



- Conforms to ISO 7241/1 Type A
- Poppet check valves have rubber seals for improved sealing when disconnected
- Designed chiefly for hydraulic oil applications.
- Manufactured from carbon steel, chrome plated
- NBR Seals with PTFE backup ring.
- Working Temp : -25°C to +125°C
- Safety Factor 4:1
- Interchangeable with Faster ANV, Parker 6600, Stucchi BIR, Ryco R85, Snaptite 61 and Aeroquip FD56



Code	Thread Size	Max WP (PSI)	Flow Rate (lpm)	C (mm)	CH (mm)	L (mm)	ØF (mm)
08-IAM04	1/4 BSP	5000	11.4	35.5	19	71	11.8
08-IAM06	3/8 BSP	4000	22.7	36.5	22	75	17.25
08-IAM08	1/2 BSP	4000	45.4	43.5	27	88	20.5
08-IAM12	3/4 BSP	3000	106	57	35	110	29
08-IAM16	1" BSP	3000	189	59.5	41	119.5	34.3



Code	Thread Size	Max WP (PSI)	Flow Rate (lpm)	L (mm)	ØD (mm)	B (mm)	ØG (mm)	CH1 (mm)
08-IAF04	1/4 BSP	5000	11.4	71	26	50	13.05	19
08-IAF06	3/8 BSP	4000	22.7	75	31.5	56	18.04	22
08-IAF08	1/2 BSP	4000	45.4	88	38.5	66	23.8	27
08-IAF12	3/4 BSP	3000	106	110	48	80	30.7	34
08-IAF16	1" BSP	3000	189	119.5	56	94	36.7	41

Note : Dimension L is length when coupler is connected.



Caps and Plugs



Size	Cap	Plug
1/4	08-IAC04	08-IAP04
3/8	08-IAC06	08-IAP06
1/2	08-IAC08	08-IAP08
3/4	08-IAC12	08-IAP12
1"	08-IAC16	08-IAP16



ISO A Couplers also available with a ball check valve in 1/2" BSP.

Balls are precision machined, some weeping is possible if pressurized when disconnected.

Size	Male	Female
1/2	08-DBM08	08-DBF08

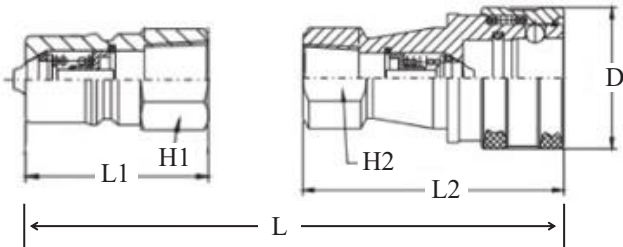
Hydraulic Quick Couplers (Category 8)

ISO B SERIES

- Interchangeable with Faster H, Parker 60, Stucchi IRB, Snpatite 72 Hansen HK and Aeroquip FD45

- Conforms to ISO 7241/1 Type B
- Poppet check valves have rubber seals for improved sealing when disconnected
- Safety Factor 4:1

Brass Body



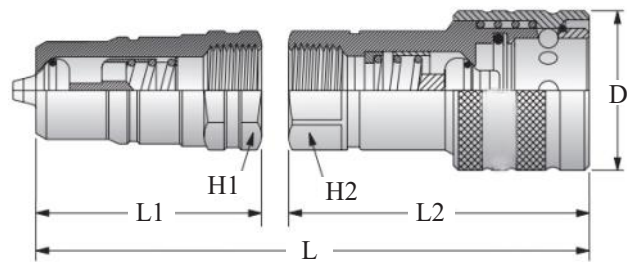
Male Code	Thread Size	Max WP (psi)	L1 (mm)	H1 (mm)	L (mm)
08-BBM02	1/8 BSP	1000	29	14	59
08-BBM04	1/4 BSP	1000	36	17	73
08-BBM06	3/8 BSP	1000	40	22	81
08-BBM08	1/2 BSP	1000	44	27	90

Female Code	Thread Size	Max WP (psi)	L2 (mm)	H2 (mm)	D (mm)
08-BBF02	1/8 BSP	1000	48	14	24
08-BBF04	1/4 BSP	1000	58	19	27
08-BBF06	3/8 BSP	1000	65	22	35
08-BBF08	1/2 BSP	1000	72	29	45



- Working Temp : -10°C to +200°C
- Viton O-Ring
- 1/4 BSP Female has Double O-Ring

Stainless Steel Body



Male Code	Thread Size	Max WP (psi)	L1 (mm)	H1 (mm)	L (mm)
08-BSM04	1/4 BSP	2000	36	19	72
08-BSM06	3/8 BSP	2000	40	24	81
08-BSM08	1/2 BSP	1500	46	27	92

Female Code	Thread Size	Max WP (psi)	L2 (mm)	H2 (mm)	D (mm)
08-BSF04	1/4 BSP	2000	58	19	27
08-BSF06	3/8 BSP	2000	65	24	35
08-BSF08	1/2 BSP	1500	73	30	42



- Working Temp : -25°C to +120°C
- Viton O-Ring
- Teflon Backup Washer

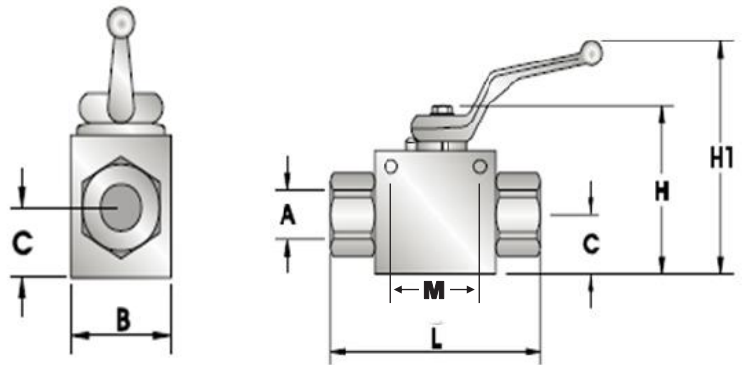
Hydraulic Ball Valves (Category 37)

2 Way Valves



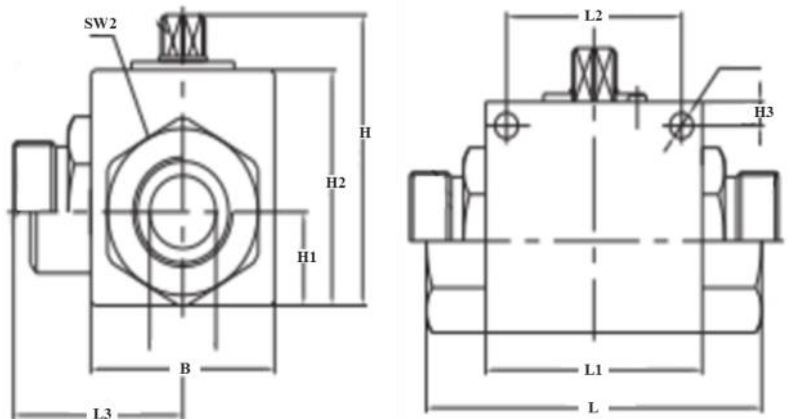
Code	Max WP (Bar)	Thread Size	L (mm)	B (mm)	H1 (mm)	H (mm)	C (mm)	M (mm)
37-V2RM04	500	1/4 BSP	69	26	75	52.2	13.5	31.5
37-V2RM06	500	3/8 BSP	72	32	80	57.2	16	31.5
37-V2RM08	500	1/2 BSP	83	35	85	62.2	18	38.5
37-V2RM12	400	3/4 BSP	93	50	108	81.8	23	48.5
37-V2RM16	350	1" BSP	115	57	115	88.8	27.5	50.5

- Body - Carbon Steel. Zinc Plated
- Ball - Nickel Plated Steel
- Ball Sealing - Polyamide
- Stem Sealing - NBR
- Handle - Alloy
- Operating Temp - -10 to +100°



3 Way Valves - L Port

- Stem Sealing - NBR
- Body - Carbon Steel. Zinc Plated
- Handle - Alloy
- Ball - Nickel Plated Steel
- Operating Temp - -10 to +100°
- Ball Sealing - POM



Code	Max WP (Bar)	Thread Size	L (mm)	L1 (mm)	L2 (mm)	L3 (mm)	H (mm)	H1 (mm)	H2 (mm)	H3 (mm)	SW2 (mm)	B (mm)
37-V3RLM04	500	1/4 BSP	69	40	31.5	26	73	13.5	35	4.8	22	26
37-V3RLM06	500	3/8 BSP	72	42	31.5	31	78	16	40	5.8	27	32
37-V3RLM08	500	1/2 BSP	83	48	38.5	35	84	18	45	6	30	35
37-V3RLM12	400	3/4 BSP	93	60	48.5	44	108	23	58	6	41	50
37-V3RLM16	350	1" BSP	115	65	50.5	53.5	113	27.5	65	7	46	57

Note : Dimension "H" is to the top of the handle